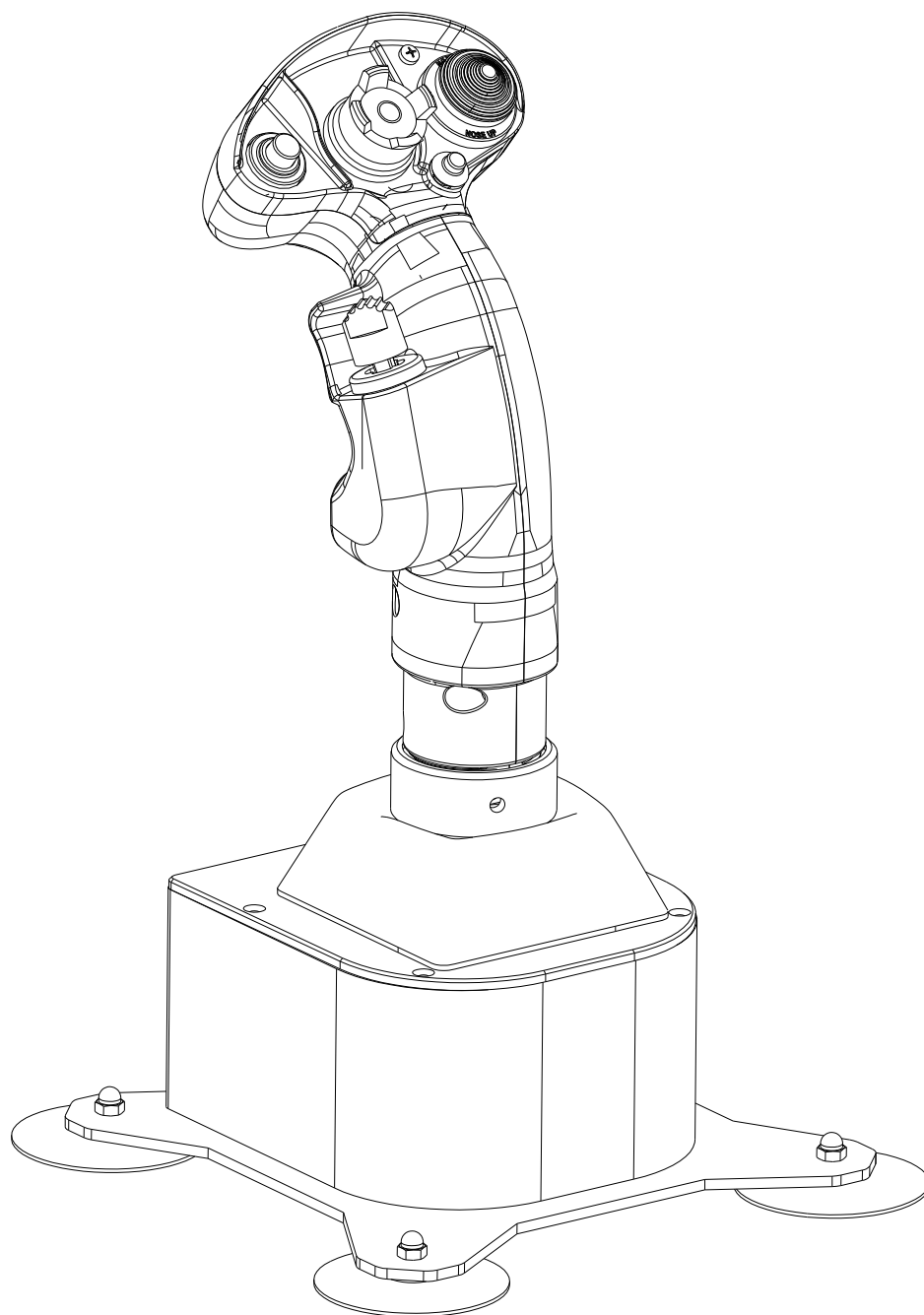


F18 GRIP+ J2 JOYSTICK BASE

用戶手冊 CN V1.0 2020.08



Contents :

1	Contents in the box	1
2	Functions	1
2.1	Travel distance/Angle	1
2.2	Grip Function.....	2
2.3	Free-rotation install.....	2
2.4	Additional function	3
3	Dimension	3
4	How to connect	4
4.1	Parts	4
4.2	Connecting base plate.	5
5	Installation.....	5

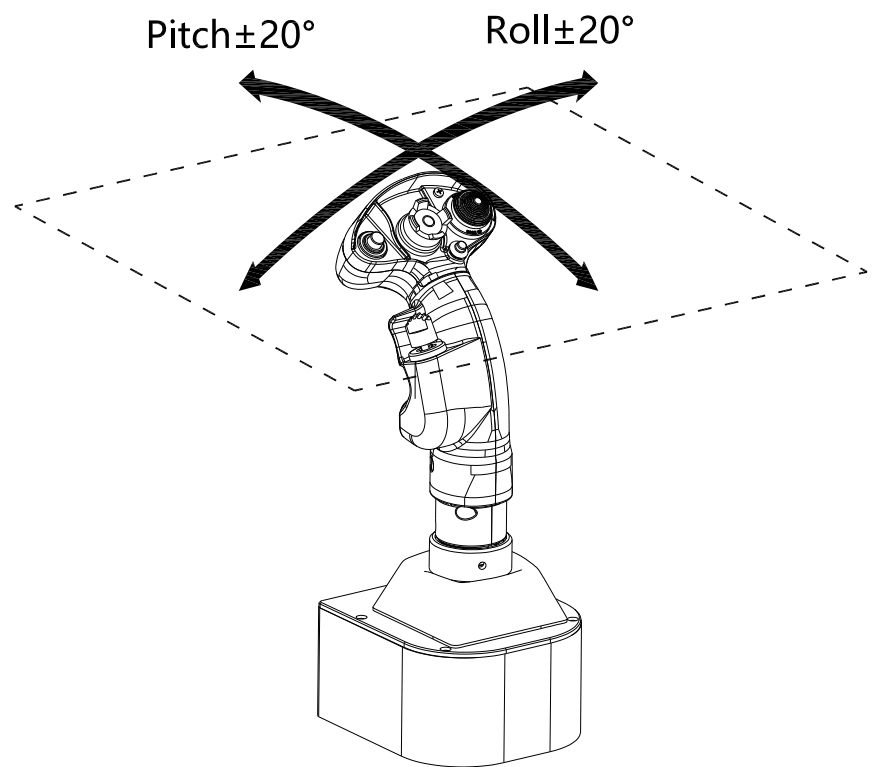
1 Contents in the box

1	J2 Base	1
2	F18 J-Grip	1
3	J2-Base plate	1
4	Tool Pack	1
5	Accessory	1
6	Instructions	1

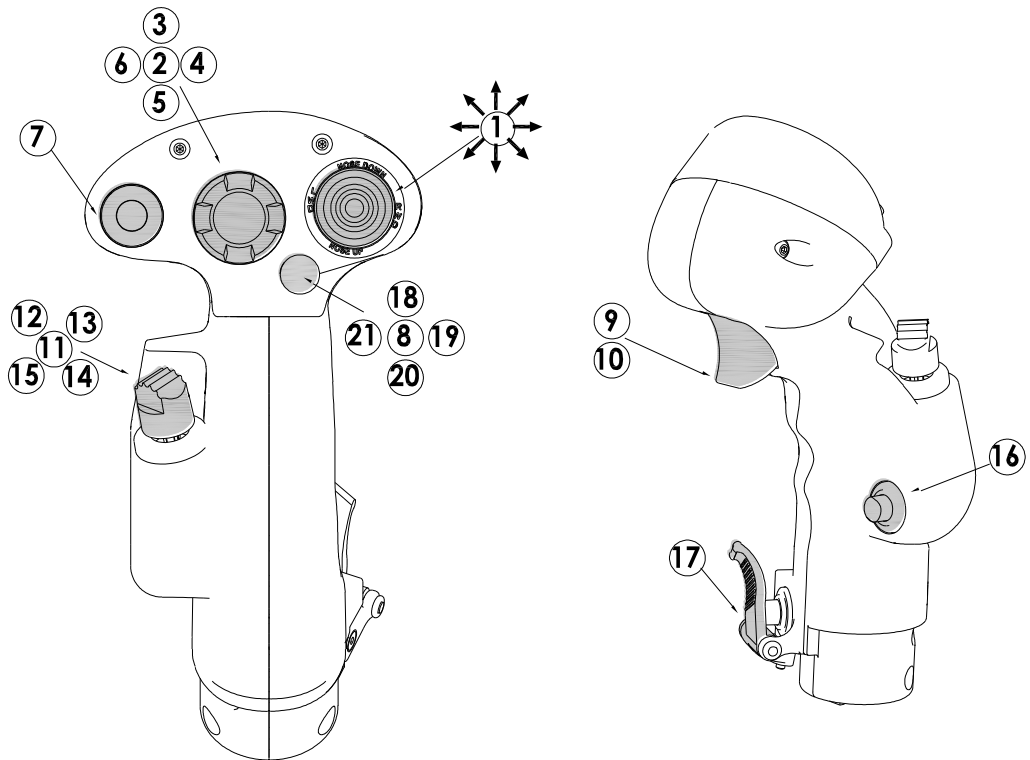
2 Functions

2.1 Travel distance/Angle

1. Pitch angular limit 40 degree;
2. Roll angular limit 40 degree.



2.2 Grip Function



2.3 Free-rotation install

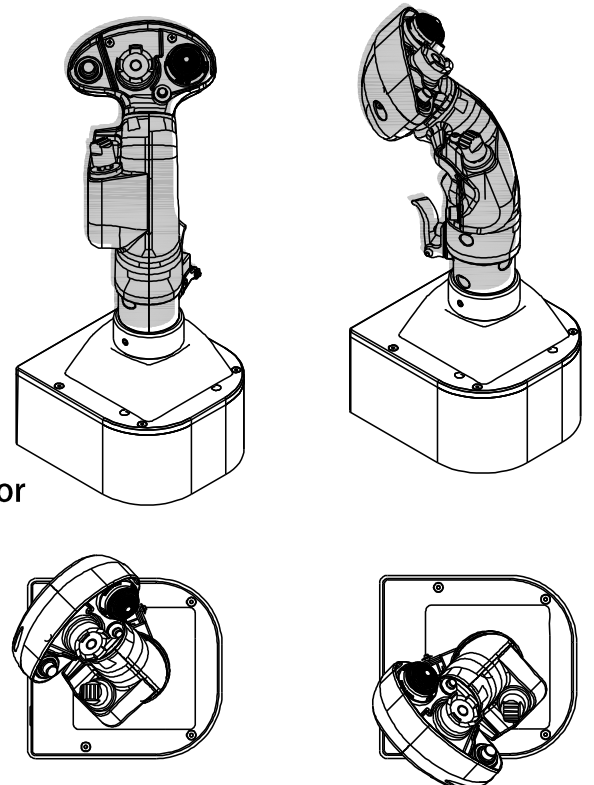
J2 Grip and base don't have any angular restrictions

It can be attached at any angle. "Picture shows 45 degree off-center install.

(Do not turning any other part except Knurled cover or

you WILL DAMAGE THE CORD LINE !)

Please check Chapter 4 for detailed instruction

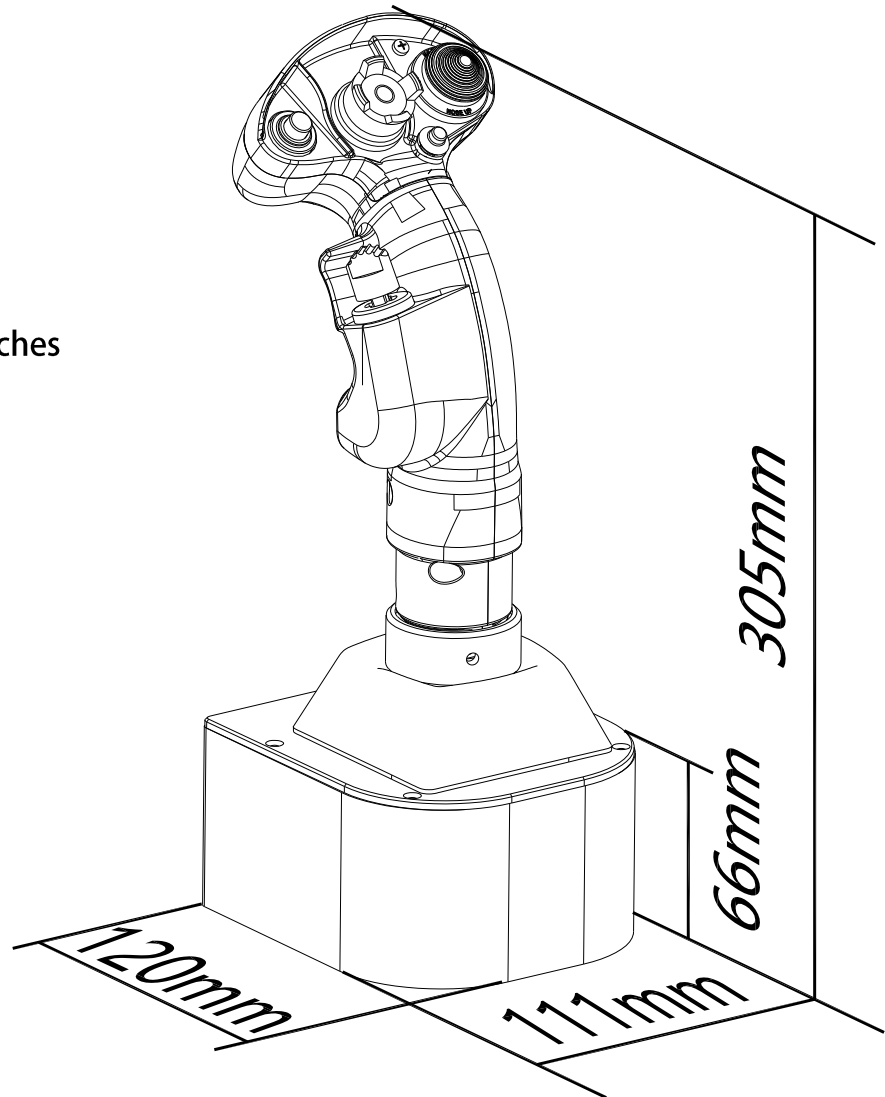


2.4 Additional function

More grip incoming,
please follow our facebook page or Discord for more information

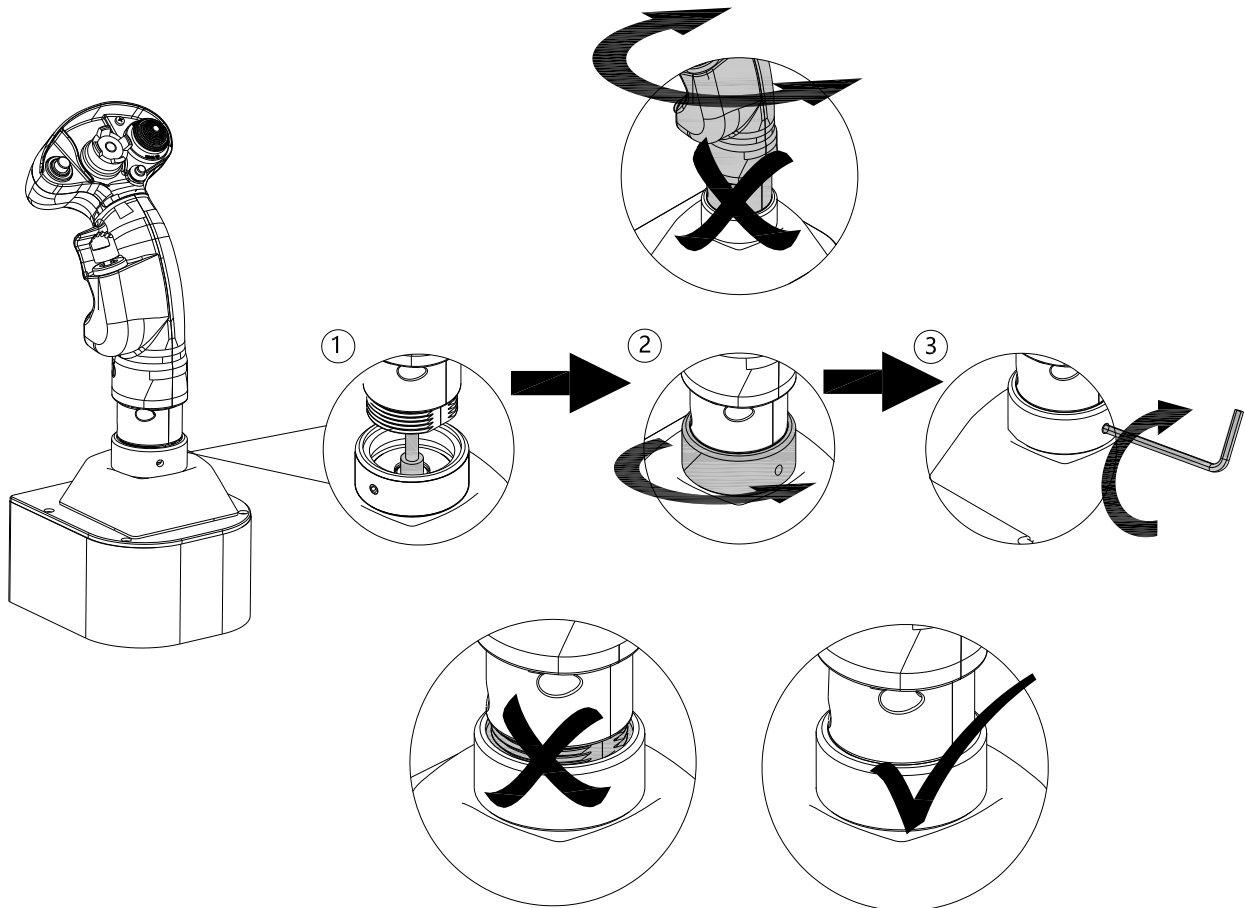
3 Dimension

Dimension
4.3inches*4.7inches*12inches
Total weight 1.5KG(3.3lb)



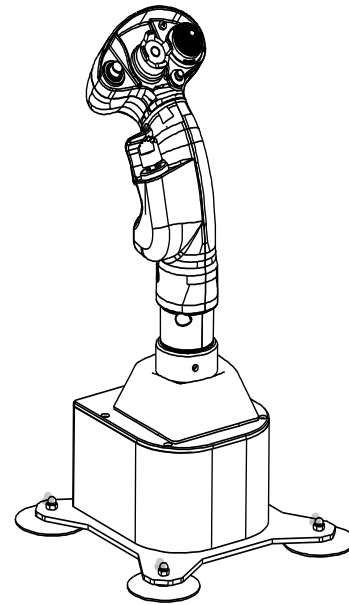
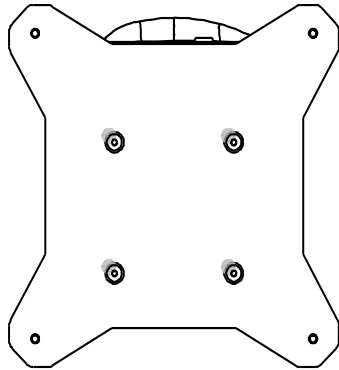
4 How to connect

4.1 Parts



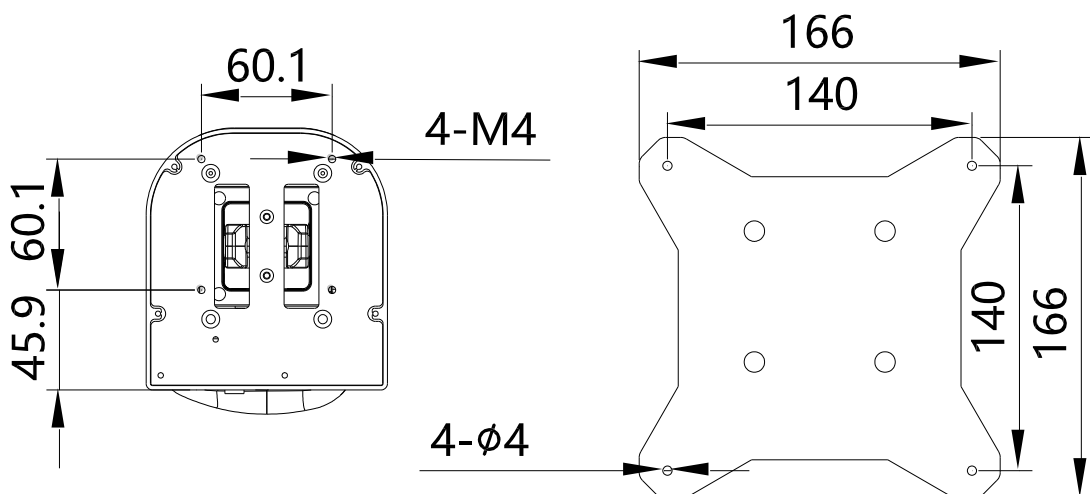
1. Plug in the cord into the base;
2. turning Knurled cover counterclockwise, The Knurled screw should be almost cover the gap after tighten up;
3. Use a wrench to tighten the locking screw.

4.2 Connecting base plate.



- Attach base plate with base, be aware the direction of the base plate, wrong direction will cause the uneven surface off center;
- attach the suction cup to the base plate. Tighten up the screw.
(Clean desktop with clean suction cup is idea for stable base).

5 Installation



Bottom screw hole as shown in picture for additional mount if needed. This is the final version of the instruction booklet.

All additional update will be online.

成都翼胜科技有限责任公司

WWW.WINWING.CN

INFO@WINWING.CN

成都市郫都区现代工业港长生桥路 1111 号 19 栋